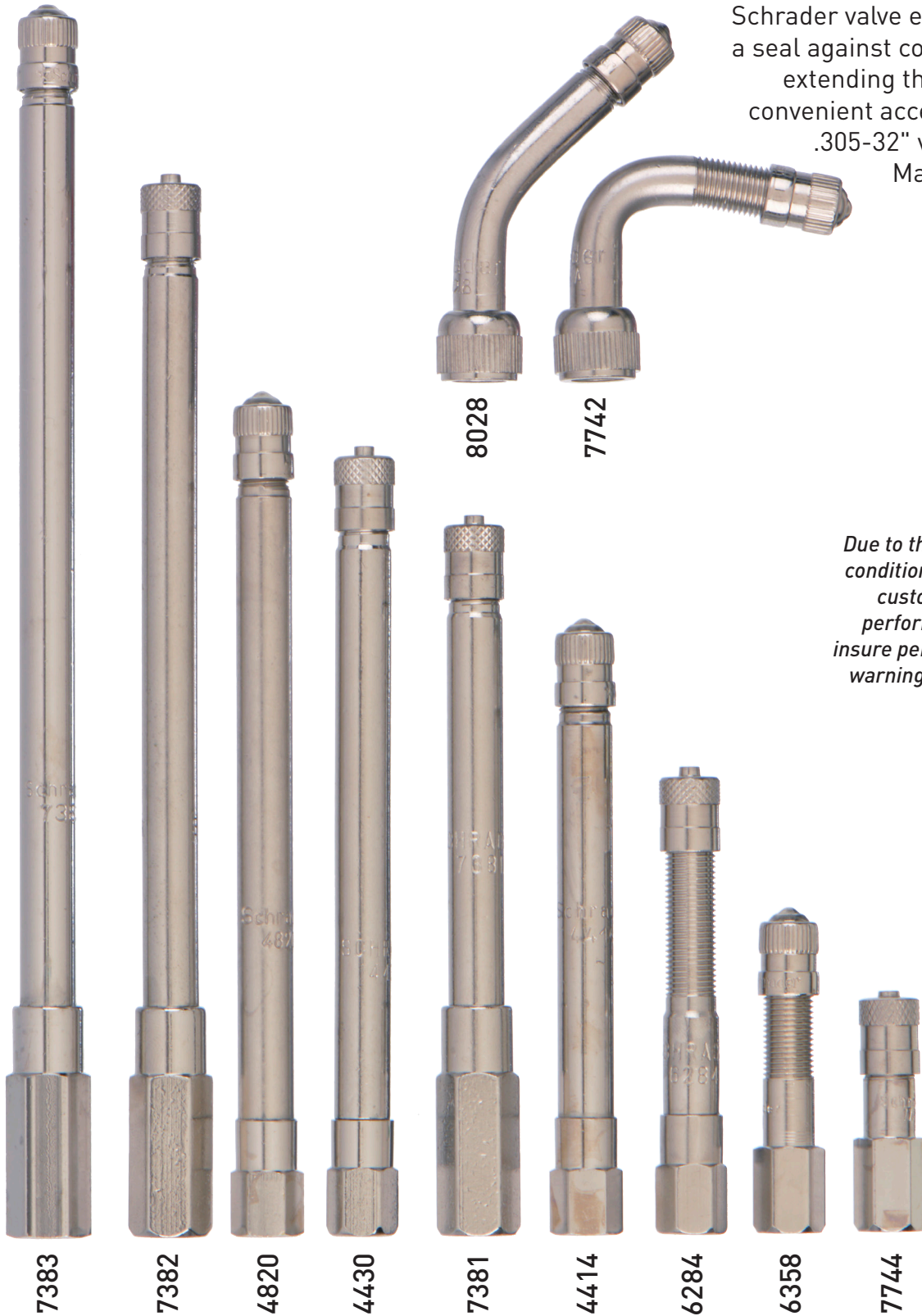


Valve Extensions

Schrader valve extensions provide a seal against contaminants while extending the valve mouth for convenient access. Fits standard .305-32" valve cap threads. Maximum operating pressure, 150 psi.



Due to the variety of operating conditions or applications, the customer is responsible to perform their own testing to insure performance, safety and warning requirements for the intended application.



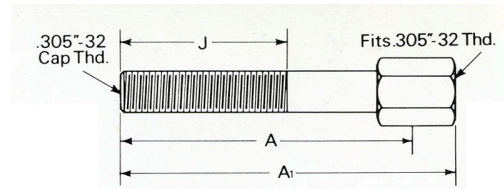
Valve Extensions

Straight Rigid Extensions

These extensions simplify air service where wheel, rim, brake, etc. hamper access to the tire valve. Valve mouth is extended to desired position for inflating, gauging and deflating. An extension core—a special plunger pin—contacts the core in the tire valve. The extension fits regular cap threads (.305" -32) at valve mouth. A washer acts as a seal between valve mouth and extension. Maximum operating pressure, 150 psi.

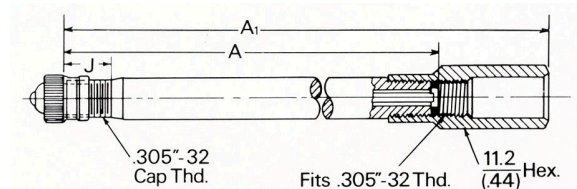
Type One

Schrader Number	A in (mm)	A1 in (mm)	J in (mm)	Hex Size in (mm)	Extension Core	Valve Cap
7744	1.00 (25.4)	1.25 (31.75)	.38 (9.5)	.38 (9.5)	7744-196	7572
6358	1.41 (35.7)	1.69 (40.8)	.81 (20.6)	.38 Flats (9.5)	6358-4	7572
6284	2.22 (56.4)	2.50 (63.5)	1.25 (31.8)	.38 Flats (9.5)	6284-4	7572
4414	3.11 (79.0)	3.39 (86.1)	.38 (9.5)	.38 Flats (9.5)	4414-6	7572
4430	4.11 (104.4)	4.39 (111.5)	.38 (9.5)	.38 Flats (9.5)	4430-4	7572
4820	4.44 (112.7)	4.72 (119.9)	.38 (9.5)	.38 Flats (9.5)	4820-4	7572



Type Two

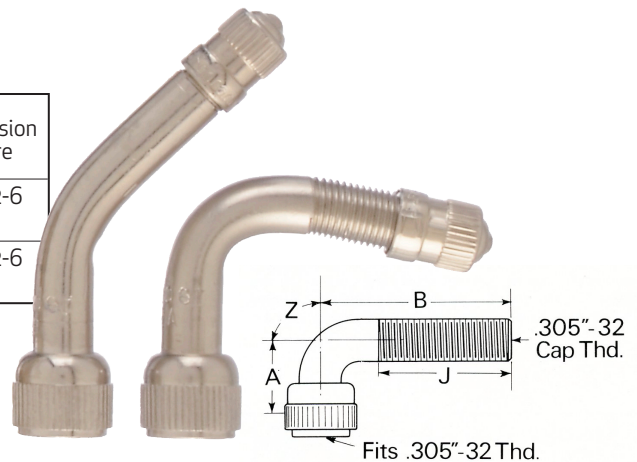
Schrader Number	A in (mm)	A1 in (mm)	J in (mm)	Extension Core	Valve Cap
7381	3.06 (77.8)	4.00 (101.6)	.38 (9.5)	7381-4	7572
7382	5.06 (128.6)	6.00 (152.4)	.38 (9.5)	7382-4	7572
7383	6.06 (154.0)	7.00 (177.8)	.38 (9.5)	7383-4	7572



Bent Extensions

Schrader Number	A in (mm)	B in (mm)	J in (mm)	Z	Valve Cap	Extension Core
8028	.75 (19.1)	1.38 (34.9)	.38 (9.5)	45°	7572	7742-6
7742	1.00 (25.4)	1.25 (31.8)	.75 (19.1)	95.5°	7572	7742-6

Due to the variety of operating conditions or applications, the customer is responsible to perform their own testing to insure performance, safety and warning requirements for the intended application.



SCHRADER-USA 205 FRAZIER ROAD ▶ ALTAVISTA, VA 24517

CUSTOMER SUPPORT LINE // 1.800.288.1804 ▶▶ SCHRADERINTERNATIONAL.COM